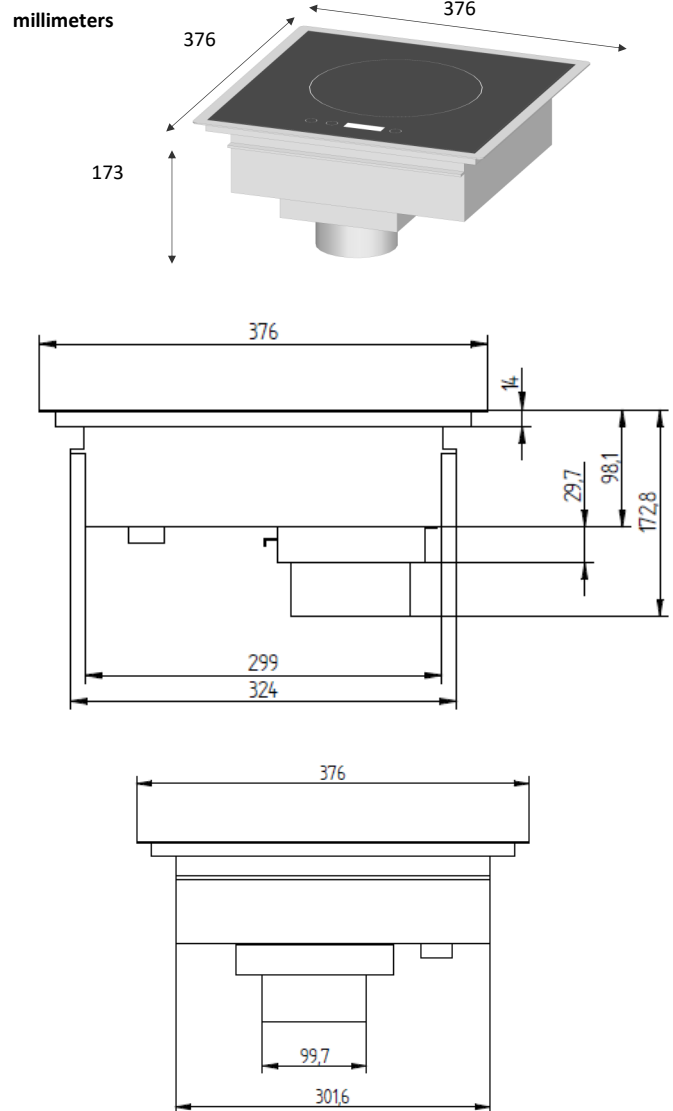


TECHNICAL FEATURES

| | |
|------------------------------|---|
| External structure | AISI 304 stainless steel + vitroceramic |
| Dimensions | 376x376xh173 |
| Power | 3000W |
| Cooking surface | Vitroceramic glass. |
| Control panel | Glass touches |
| Amp | 13 A |
| Functions | On/Off, manual power level setting (+/-) with 4 digits display Timer control |
| Power supply | 230 V ; 220/240 V ; single phase AC 50 - 60 Hz |
| Weight | 8 kg kg / 17,3 lbs. |
| Standards | Complies with European standards for safety of electrical appliances |
| Details & Options | Including a power cord and a washable filter (wash regularly). |



Cut out dimensions 352x352mm

ADVENTYS
Route de Pagny - 21250 Seurre - France
www.adventys.com
sales@adventys.com
T: +33 3 80 20 46 15

Important note

Adventys reserves the right to modify specifications without notice.

